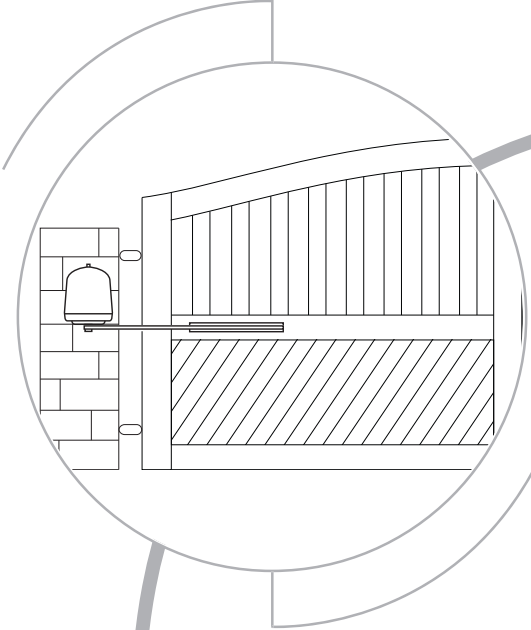


Wing gate operator

ART200



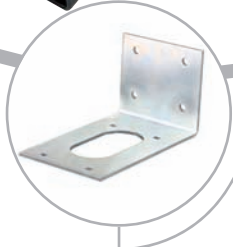
Release



Manual Release with Key Lock



Limit switch



Base plate narrow fit



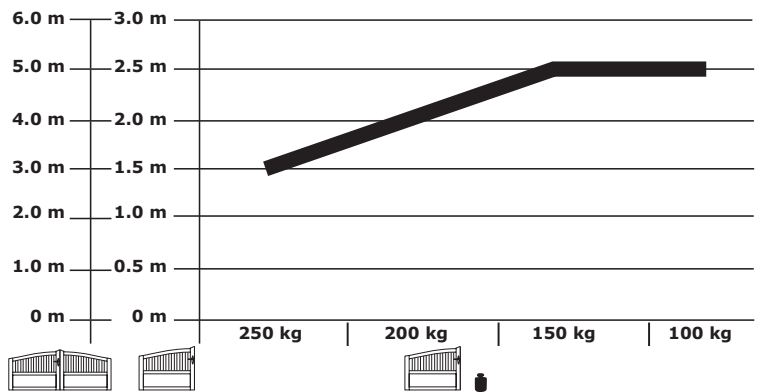
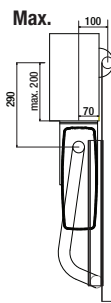
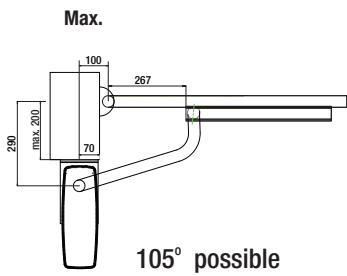
Arm

Install all equipment in compliance with EN60335-2-103



2-year warranty

ART200



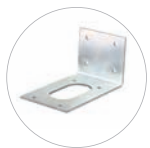
ART-2 2m gate arm included



ART-4 External release lock for gates



ART-5 Internal release lock for gates



ART-6 Base plate narrow fit included



ART-7 Base plate standard

For more accessories please refer to accessory catalog

Technical Data

		ART200
Voltage IN	VAC	220-240
Frequency	Hz	50
Motor voltage	VDC	24
Power (nom)	W	40
Current (max)	A	1,3
Torque (max)	Nm	200
Capacitor	yF	not required
Thermal overload protection	°C	not required
Motor speed	rpm	2800
Opening time 90 degree	sec	~25
Duty cycle	cycles/hr	~20
Working temperature range	°C	-20°C/+55°C
Protection class		I
Degree of protection	IP	IP 44
Product weight (~)	kg	5
Max. gate wing length	m	2,5
Max gate weight at max. wing length incl. 20% reserve	kg	150

Model & carton content chart

Model	Drive unit w. cover	Electronic distance limits	Trans former	Electronic control	Mounting plate	Drive arm	Remote control 94335E	Receiver & radio	IR sensor	Flashing light	Key switch	Antenna kit	Number of cartons
ART200K	2x	•	•	•	•*	•**	1x	433MHz	•	***	***	***	1

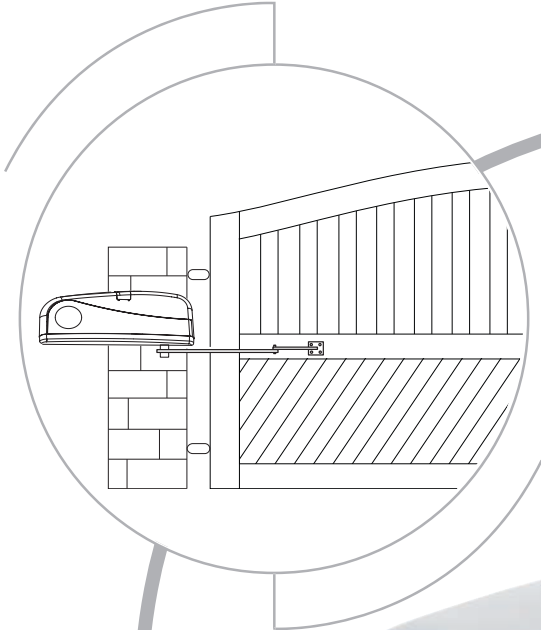
* ART-6 Narrow fit post bracket

** ART-2 door arm black (replaced in 2009 with aluminium arm ART-2AL)

***Optional accessory

Wing gate operator

ART300



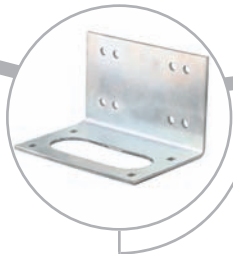
Release



Manual Release with Key Lock



Limit switch



Base plate standard



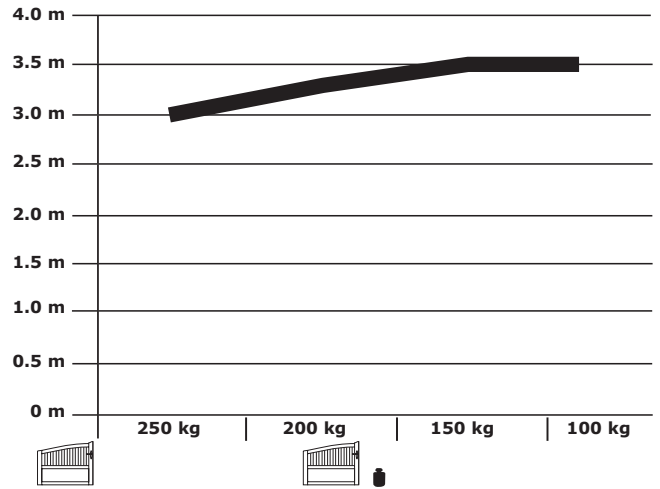
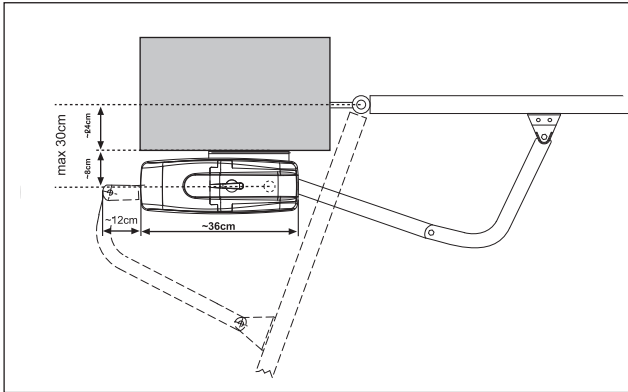
Heavy-Duty Door Bracket

Install all equipment in compliance with EN60335-2-103



2-year warranty

ART300



ART-1 Folding door arm



ART-2 2m gate arm



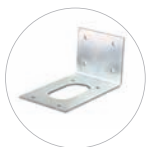
ART-3 3m 3m gate arm



ART-4 External release lock for gates



ART-5 Internal release lock for gates



ART-6 Base plate narrow fit



ART-7 Base plate standard

Technical Data

		ART300
Voltage IN	VAC	220-240
Frequency	Hz	50
Motor voltage	VAC	230
Power (max)	W	400
Current (max)	A	1,8
Torque (max)	Nm	350
Capacitor	microF	10
Thermal overload protection	°C	140
Motor Speed	RPM	1400
Opening Time 90 degree	sec	~14
Duty Cycle	cycles/hr	~20
Working Temperature Range	°C	-20°C/+55°C
Protection Class		I
Degree of protection	IP	IP 44
Product weight (~)	kg	6
Max. gate wing length	m	3
Max gate weight at max. wing length incl. 20% reserve	kg	250

For more accessories please refer to accessory catalog

Model & carton content chart

Model	Drive unit w. cover	Capacitor	Limit switch	Electronic control	Mounting plate standard	Drive arm	Remote control 94335E	Receiver & radio	IR sensor	Flashing light	Key switch	Antenna kit	Number of cartons
ART300	1x	•	•										1
ART300K	2x	•	•	•	•*	•**	2x	433MHz	•	•	•	•	1

* ART-7 Standard wide fit post bracket

** ART-3AL Aluminium design door arm