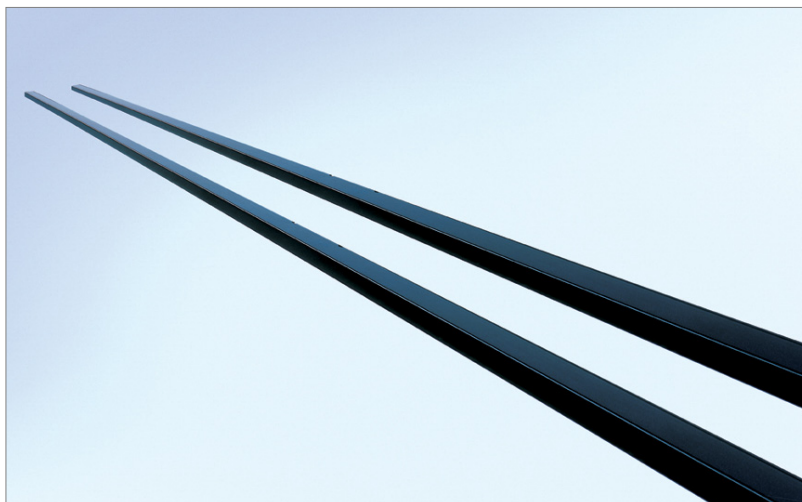


Description

- 2-10 metre sensing range
- 12 – 36 V dc supply voltage
- 194 or 94 cross scanning beams
- Active height of 1800 mm or 1754 mm
- Detector length 2.00 m
- Opto-isolated NPN/PNP output
- Wire selectable light or dark function
- Fully automatic (no set up or adjustments required)
- Test input
- Power, output and signal status indicators
- Slim line detector housing
- Immune to interference from sunlight and reflections
- Time-out function



The SpaceGuard SG 10 light curtain system consists of a self-contained transmitter detector, SGT and receiver detector, SGR, which are to be positioned opposite of each other. The detectors are housed in a sturdy aluminium profile available in a slim line design (10 x 28 mm).

The receiver detector is supplied with a 12 – 36 V dc power supply with a 5 wire, opto-isolated output, with a choice of light or dark function selectable via wire connection. The test input in the transmitter detector may be used for either disabling or enabling the transmitting power temporarily for test purposes.

The detectors also include time-out function, which allows a pre-set number of channels to be automatically ignored if permanently obstructed for 10 seconds or more.

The advanced automatic signal-tracking (AST) feature ensures that no onsite set up or adjustments are required. The signal level of each individual channel is adjusted automatically.

Both the transmitter and receiver detectors are protected against reverse polarity or power supplies, control input and output signals. The output is also protected against short circuit and inductive loads.

Technical Data

		20 Channel	40 Channel
Supply voltage		12 – 36 V dc	
Power consumption	Transmitter	Max. 100 mA	
	Receiver	50 mA	
Output ratings		200 mA	
Short circuit protected		Yes	
Reverse polarity protected		Yes	
Light source		Infrared (880 nm)	
Number of channels (diodes per detector)		20	40
Number of cross scanning beams		94 (constant)	194 (constant)
Active height		1754 mm	1800 mm
Channel spacing		Between channel 1 and bottom of housing: 25 mm (center of beam). Between other channels: 92 mm	Between channel 1 and bottom of housing: 25 mm (center of beam). Between other channels: 46 mm
Distance between beams at pinch point		46 mm	23 mm
Response time		85 ms	165 ms
Power on indicator		Green LED in receiver and transmitter unit	
Output indicator		Yellow LED in receiver unit	
System status indicator		Red LED in receiver unit	
		Flashing: Alarm for time-out Constant light: Alarm for system failure	
Time out function		Up to 2 non-adjacent channels	Up to 4 non-adjacent channels
Housing dimensions (w x d x h)		10 x 28 x 2000 mm	
Housing material		Aluminium	
Housing colour		Black anodized	
Front cover		Infrared transparent plastic	

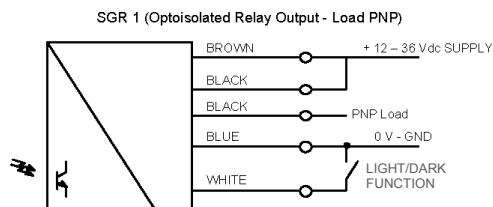
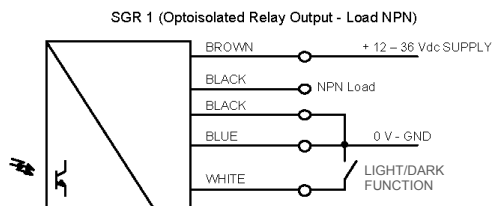
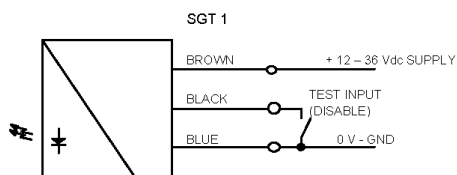
Environmental Data	
Light immunity @ 5 ° incidence	> 100.000 lux
Temperature, operation	- 20 to + 65 °C
Temperature, storage	- 40 to + 80 °C
Sealing class	IP 65
Approvals	CE

Available Types				
Transmitter	Housing length	Model	20 channel	40 channel
		Output	Order reference	
	2000 mm	-	SGT 10-200-020-A-3F	SGT 10-200-040-A-3F

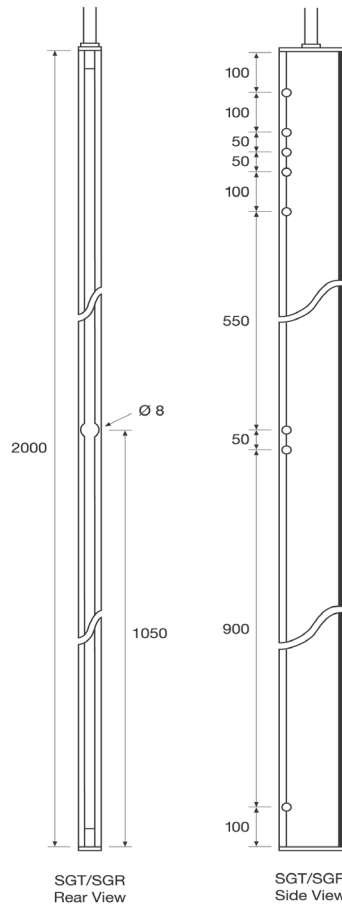
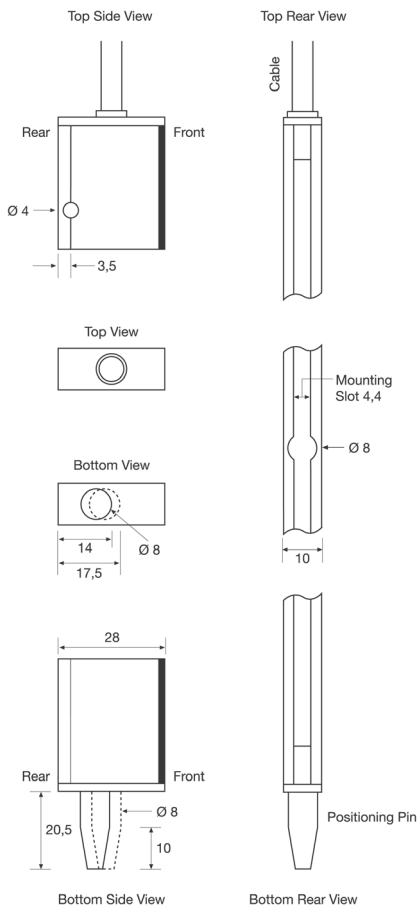
Receiver	2000 mm	NPN/PNP	NO/NC	SGR 10-200-020-A-06-3F	SGR 10-200-040-A-06-3F
----------	---------	---------	-------	------------------------	------------------------

Note: 1. For alarm output, add AL after cable length, e.g. SGR 10-200-040-A-06-3F-AL

Wiring Diagrams



Dimensions and Descriptions



SG 10-200

(Units in mm)

Telco reserves the right to change specifications without notice