



LIFTMASTER®



FAST SWING

MAGIC BUTTON® PERFORMANCE

Application

The Liftmaster Magic Button PK Series gate operators are built for fast, intensive and reliable operation with optional increased speed of gate operation. Suitable for all swing gates where the frame, hinges and gate stops have been appropriately engineered for the application and weather wind loadings.

Construction

The gate operator components are mounted on a 4mm thick hot dipped galvanised mounting plate. A separate box provides the logic control and safety accessories. Manual operation is by way of a simple tool. The harmonic action of the drive arms provides mechanical slow down at the end of travel. An optional frequency inverter can provide additional speeds of travel with enhanced soft start and stop. The entire unit is covered by a stainless steel enclosure

Logic Control

The operational sequencing of the motor is achieved by the exclusive Magic Button MB106 or MB206 control boards. Depending upon trigger and safety accessories the motor can be selected to be operated in fully automatic mode or by manual operation. In case of a 240V power interruption an appropriate uninterrupted power supply unit is available. Building management systems, time clocks, fire alarms, access control, lighting, CCTV recording and other interface devices can be incorporated by the Magic Button logic control.

Speed

Depending upon the application, mass and engineering of the gate, a gate opening time of 8-10 seconds is achievable, and with the optional frequency inverter 6-8 seconds with variable speed for both opening and closing.

Safety

A slipping clutch on the final drive (model PK50) output provides for an excellent last resort anti crushing device. The installation of appropriate safety devices applicable for the situation is mandatory.

Motor and Gearbox

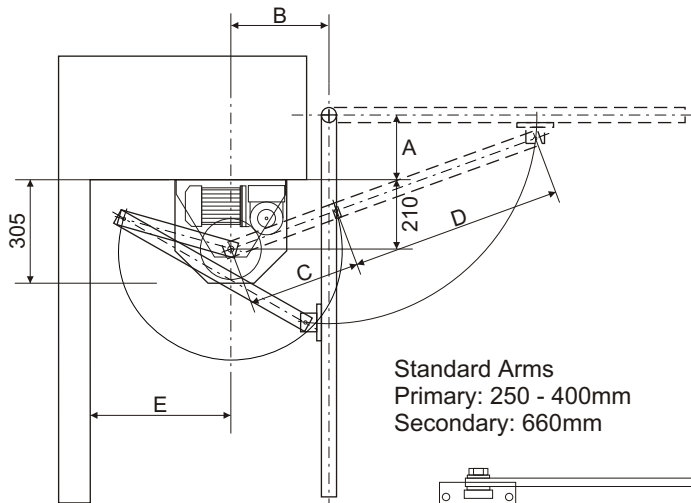
240V and 3-phase models are available with the added option of a frequency inverter. Both models have a powerful 100:1 gearbox with the PK50 fitted with optional inverter able to operate gate leaves up to 6m dependent upon calm wind loadings.

Accessories

- Photo electric beams
- Emergency stop controls
- Vehicle detectors
- Traffic lights
- Flashing lights
- Safety edge profile
- Radio & access control



Technical Specifications

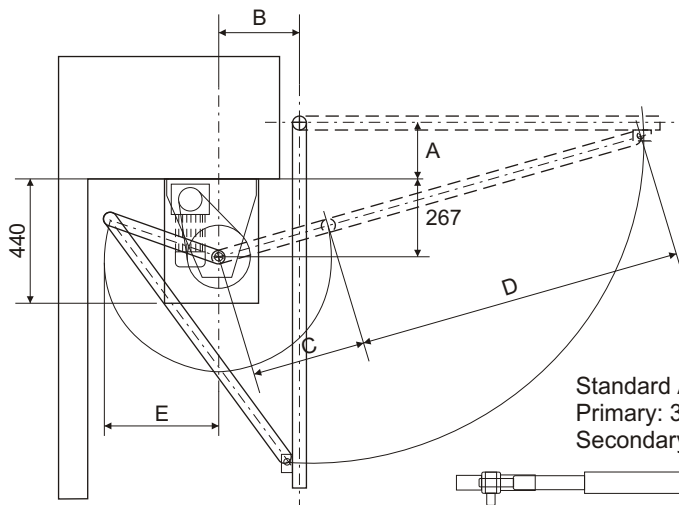
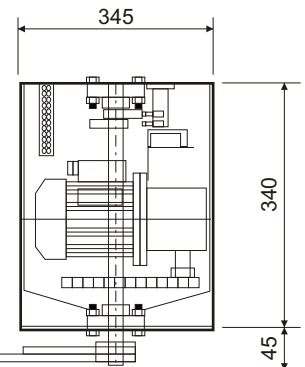


Standard Arms
Primary: 250 - 400mm
Secondary: 660mm

PK25

Installation Table

A	B	C	D	E
0	200/300	250	660	250
50	200/300	250	660	250
100	200/300	300	660	300
150	200/300	300	660	300
200	200/300	350	660	350
250	200/300	350	660	350
300	200/300	400	660	400
350	200/300	400	660	400

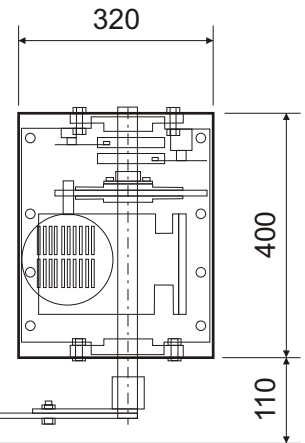


Standard Arms
Primary: 350 - 500mm
Secondary: 960 - 1200 mm

PK50

Installation Table

A	B	C	D	E
50	200/300	350	875 ^{±0.60}	350
100	200/300	350	875 ^{±0.60}	350
150	200/300	400	875 ^{±0.60}	400
200	200/300	400	875 ^{±0.60}	400
250	200/300	450	875 ^{±0.60}	450
300	200/300	450	875 ^{±0.60}	450
350	200/300	500	875 ^{±0.60}	500



Technical Specifications	PK25	PK50
Power Supply	240V	240V or 415V
Current drawn	1.4 Amps	240V 4.5 Amps 415V 1.1 Amps
Speed 90° Opening	9 sec	To 4m wide 8 sec To 6m wide 12 sec
Duty Cycle	100%	100%
Gear Box Ratio	1:100	1:100
Housing protection	IP55	IP55
Temperature range	-20°C to +55°C	
Operator Weight	25Kg	58Kg
Inverter #1	Optional	Optional
Gate Width #2	3.2m	Fast Motors 4m Slow Motors 6m

Important Notes:

- #1 The operating parameters of these motor are dependent on upon wind loadings affecting the gate. Motor specifications are correct for calm conditions only.
- #2 When correctly installed, to meet the above installation tables, mechanical slow down is achieved. For faster operation and enhanced slow down, the option of an inverter is available. We recommend inverters be used for all gates over 4m wide.
- Gate locks or lock magnets are recommended on all gates wider than 2.5m
- Appropriately engineered stops suitable to the application MUST be installed in BOTH the open and close positions
- This brochure is to be read in conjunction with the Magic Button operators manual.
- Liftmaster is not responsible for the failure to observe good technique in the construction of the structure to be motorised, or for any deformation that may occur during use.

VICTORIA

Melbourne
Unit 2, 23 The Concord
Bundoora 3083
(03) 9467 8555

QUEENSLAND

Brisbane
4 Devlan St
Mansfield 4122
(07) 3849 6666

NSW

Sydney
Unit 8, 133 McEvoy St
Alexandria 2015
(02) 9699 9654

LIFTMASTER ELECTRONICS PTY LTD A.B.N. 58 000 266 035
PO BOX 54 ALEXANDRIA NSW 1435 AUSTRALIA PH: 61 2 9699 9654 FX: 61 2 9699 8443
www.liftmaster.com.au salesdesk@liftmaster.com.au