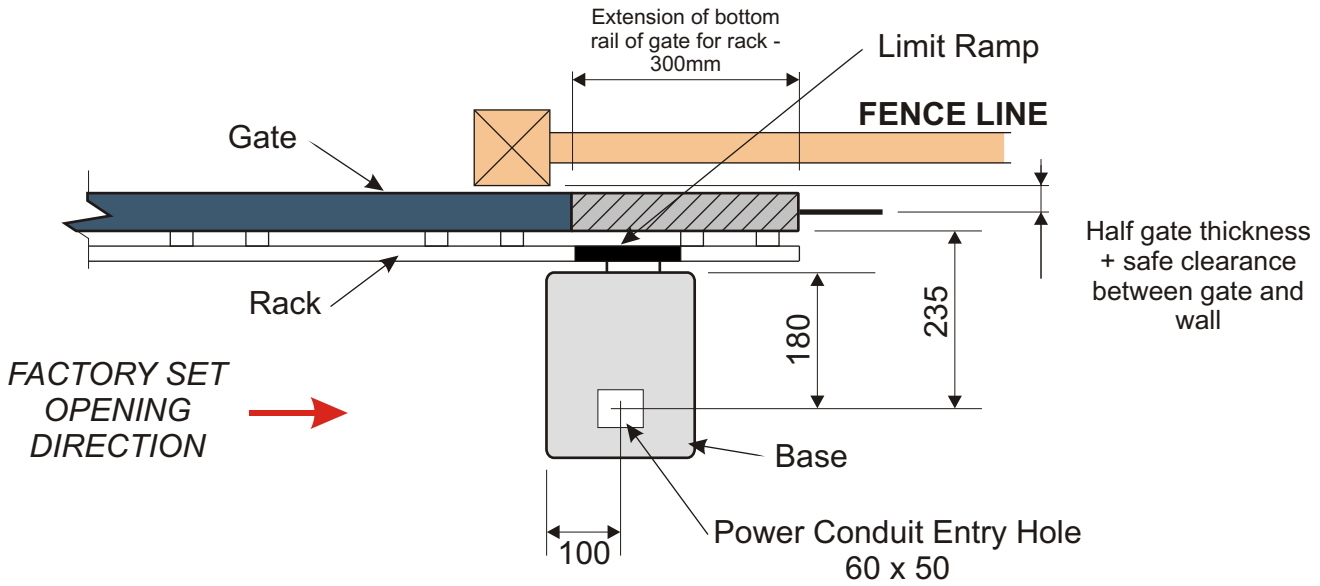


LIFTMASTER[®]

www.liftmaster.com.au



**LIFTMASTER Mod.4
RACK MOUNTING HEIGHT**
with mounting base as recommended in manual
to center of rack mount slot
= A + B

A = Adjustment on mounting base (min. 15mm)	
B = from base of motor to centre of rack mount slot	
16 Tooth Sprocket	
Nylon rack : 60mm	Steel rack 97mm
12 Tooth Sprocket	
Nylon rack : 55mm	Steel rack 92mm

