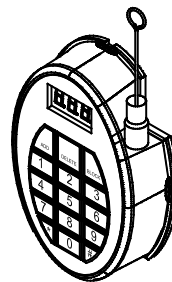


SPECIFICATIONS

SUPPLY VOLTAGE: 12-24 VOLTS AC OR DC
OPERATING CURRENT: 250 mA MAXIMUM
OPERATING TEMP RANGE: -40 TO +149F
(-40 TO +65C)
FREQUENCY: 433.92
RELAY CONTACT RATING: 1 AMP @ 24 VOLTS AC OR DC

Removable memory modules and RF module are included in this product. Jumper J2 must remain in the default position unless otherwise noted. **THERE ARE NO OTHER SERVICEABLE PARTS.**



PATENTS PENDING

TABLE OF CONTENTS

DESCRIPTION	PAGE
Mounting Instructions for STAR250.....	1
Programming For STAR250.....	2 & 3
STAR250 Features.....	4
Electrical Connections for STAR250.....	4

WARNING

To prevent possible **SERIOUS INJURY** or **DEATH** from electrocution:

- Be sure power is not connected **BEFORE** installing the receiver.

To prevent possible **SERIOUS INJURY** or **DEATH** from a moving gate or garage door:

- **ALWAYS** keep remote controls out of reach of children. **NEVER** permit children to operate, or play with remote control transmitters.
- Activate gate of door **ONLY** when it can be seen clearly, is properly adjusted, and there are no obstructions to door travel.
- **ALWAYS** keep gate or garage door in sight until completely closed. **NEVER** permit anyone to cross path of moving gate or door.

MOUNTING INSTRUCTIONS FOR STAR250

Location: Select a convenient location near your device to be controlled by the STAR250. For best performance, the STAR250 should be mounted in Line-Of-Sight with your intended transmitting location. **Avoid mounting the STAR250 in or on metallic enclosures.** If this is unavoidable, we recommend installing the antenna extension kit (86LM) for best results. See Remote Antenna Mounting for proper installation.

Receiver Mounting: Mount Backplate to desired surface using M3 hardware (not supplied). Hardware used will depend on mounting application. (Refer to figure 1 for Receiver mounting hole locations). Wire electrical connections to unit. Snap Unit to Back Plate.

Direct Antenna Mounting: Install the supplied antenna onto the STAR250 antenna connector by screwing the connector clockwise. Slide the seal boot down to meet the O-Ring, covering the antenna hardware.

Remote Antenna Mounting: Use the optional 86LM antenna extension kit to mount the remote antenna as high and far from metal as possible for best radio range (See figure 2). Contact LiftMaster customer service to order the model 86LM.

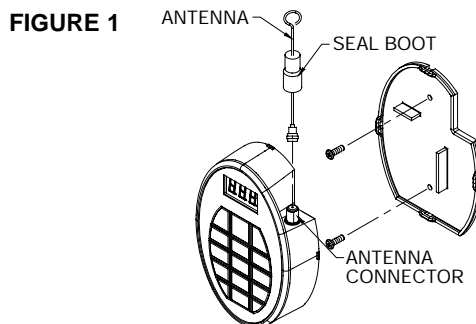
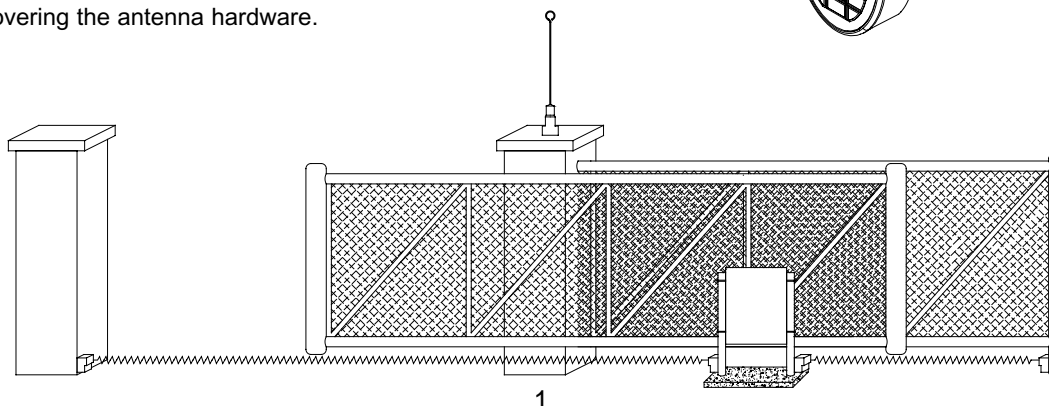
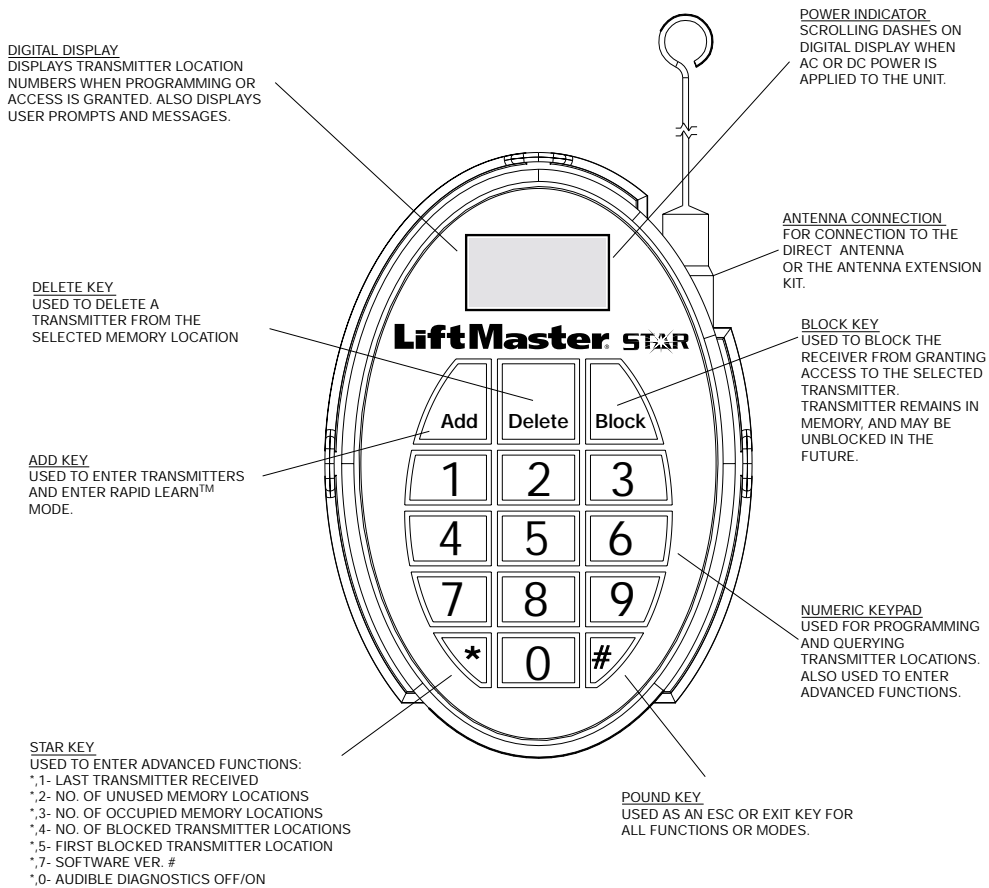


FIGURE 2

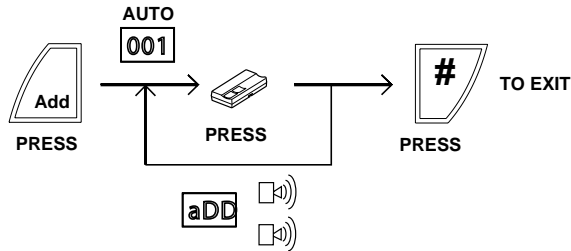


STAR250 FEATURES

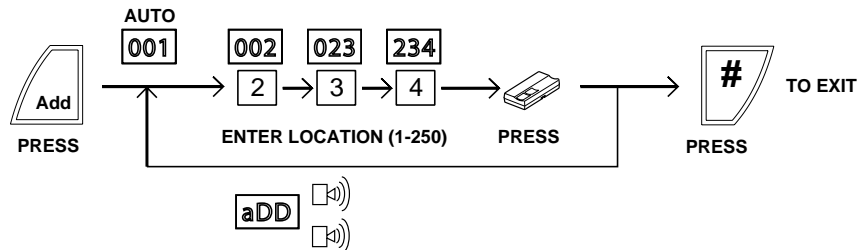


PROGRAMMING THE STAR250

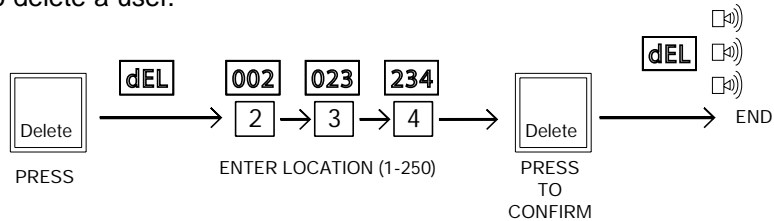
Rapid Learn™. Add transmitter to next available location.



Adding Transmitter- Add transmitter to a specific location.

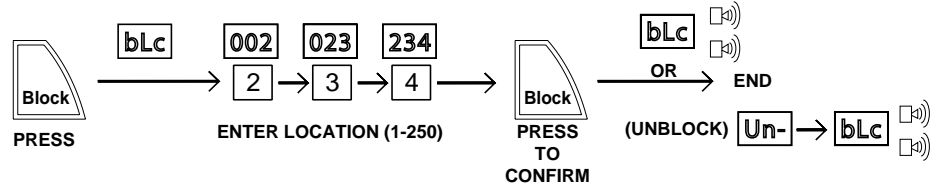


Deleting a Transmitter- To delete a user.

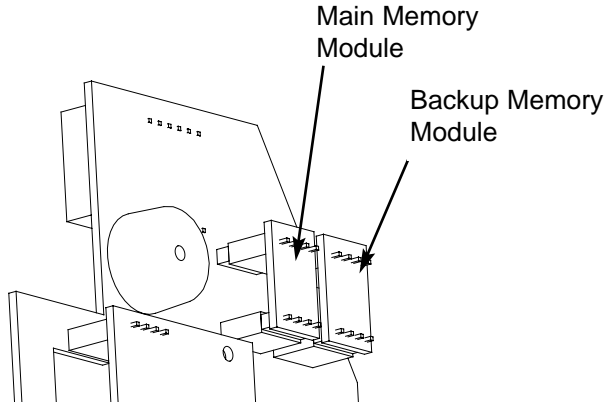
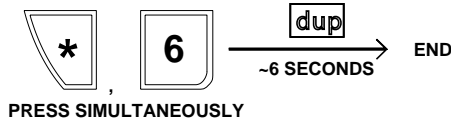


PROGRAMMING THE STAR250 (CON'T)

Blocking (Unblocking) a Transmitter- To block or unblock a user.



Duplicating Memory- Allows user to back up learned transmitter memory into the provided backup memory module.



Note- To duplicate memory, plug memory module into back up slot and press *,6. Once duplication is complete, remove the backup memory module and store in a separate location.

Restoring Memory- To restore memory, simply place the duplicate memory module from the back-up memory location in the main memory position.

Advanced Functions

Step 1. For advanced functions, press and hold the (*) key and a number key at the same time to select the corresponding advanced function. (See table at right for available functions.) Press the '#' key to exit the function.

- * 1 Memory location of last transmitter received.®
- * 2 # of open transmitter locations.
- * 3 # of locations occupied.
- * 4 # of blocked transmitter locations.
- * 5 First blocked transmitter location.
- ↳ 5 Next blocked location (Repeat to scroll).
- * 6 Duplicate memory- See Duplicating memory.
- * 7 Version #
- # Press to exit functions.
- * 0 Audible diagnostics OFF/ON (LED will be displayed when OFF)

® If no transmitters are programmed into the STAR250, then (--) will be displayed.

Audible Diagnostics

Step 1. Activate Transmitter.
Step 2. Listen for beep.
(LED will be displayed when OFF)



- Double Beep- Transmitter is valid & learned into STAR250 accompanied by transmitter location display.
- Slow Beep- Security+ Transmitter (Not learned in STAR250).
- Fast Beep- Billion Code Transmitter (Not learned in STAR250).
- Long Beep- Blocked transmitter.
- No Beep- Transmitter not working.

Keypad Sound Alerts

- Single Beep- Key Pressed.
- Double Beep- Confirmation of an accepted Tx or valid Add/Block input.
- Triple Beep- Confirmation of Delete.
- Long Beep- Blocked Tx, Error, or Out of Range

Transmitter location Query

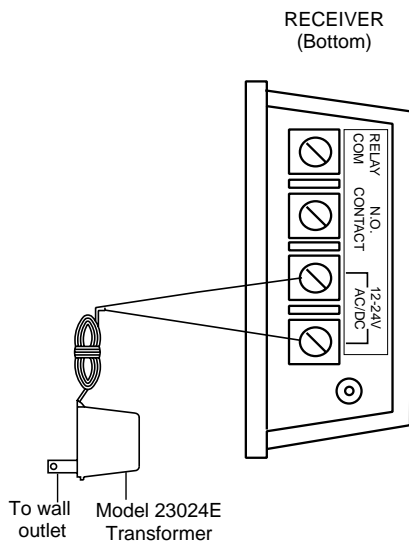
Step 1. Enter a transmitter location number (001-250) to view location status (See table to the right for possible status displays).

Display	Description	Beeper
OPn	Transmitter location is empty	no beep
Occ	Transmitter location is occupied	no beep
bLc	Transmitter location is blocked	no beep
Out □	Transmitter location is out of range (not between 1 & 250)	long beep

TROUBLESHOOTING GUIDE

Problem	Probable Cause(s)	Solution
No Display	1. Faulty/intermittent power connections to unit Or 2. No power to unit	1. Check power connections to unit 2. Supply power to unit
No Beep when transmitting	Audible Diagnostics may have been turned OFF (right-most decimal point will be lit on the display)	Press "*" and "0" keys at the same time.
Transmitter does not activate operator	1. Transmitter not learned into system Or 2. Transmitter is blocked Or 3. Transmitter battery is dead	1. Add transmitter to memory 2. Pay your rent 3. Replace transmitter battery
Transmitter won't learn into memory	1. Memory may be full Or 2. Transmitter may not be a recognized Chamberlain transmitter Or 3. Transmitter battery is dead	1. Delete unused transmitters from memory 2. Verify transmitter is listed in compatible transmitters section 3. Replace transmitter battery
Unit does not function, [E 1] displayed	Main memory module missing or damaged	Replace Main memory module
Duplication function does not work, [E 2] displayed	Backup memory module missing or damaged- If included	Replace Backup memory module
Keypad does not respond, [E 3] displayed	Keypad has a stuck key	Cycle power. If unit exhibits this condition again after 2 minutes, contact Technical Service

ELECTRICAL CONNECTIONS FOR STAR250



STAR250 COMPATIBLE TRANSMITTERS

Transmitters
4330E
4332E
4333E
4335E
Keypads
747E

STAR250 OPTIONAL ACCESSORIES

CGI Part Number	Description
041A2743X	Watertight Box Field Install Kit
86LM	Antenna Extension Kit
23024E	Transformer 230V/24V/AC

Declaration of Conformity

Universal Radio Receiver Model No. Star250-xxx are in conformity to the applicable sections of Standards .ETS 300 683, per the provisions & all amendments of the EU Directives1999/5/EC

Declaration of Incorporation

Universal Radio Receiver Model No. Star250-433, when installed and maintained according to all the Manufacturer's instructions in combination with a Gate or Garage Door System, which have also been installed and maintained according to all the Manufacturer's instructions, meets the provisions of EU Directive 98/37/EC and all amendments.

I, the undersigned, hereby declare that the equipment specified above and any accessory listed in the manual conforms to the above Directives and Standards.

Chamberlain GmbH
D-66793 Saarwellingen
September 2002



Colin B. Willmott
Colin B. Willmott
Chefingenieur

GB For Service: +(44) 0845-602-4285

www.liftmaster.com
info@chamberlaingroup.com